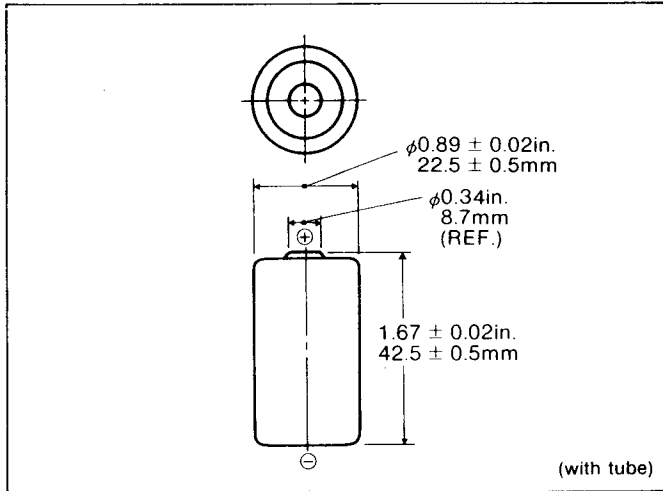


# P-150SCE

Type: High capacity "E"  
Size: SC

## 1500mAh



### Specifications

Nominal voltage		1.2V	
Capacity (mAh)	Nominal	C/5	C
	Typical	1500	1450
Diameter		0.89 ± 0.02 in. 22.5 ± 0.5 mm.	
Height		1.67 ± 0.02 in. 42.5 ± 0.5 mm.	
Weight		1.69 ounces (48g)	
Internal impedance at 1000Hz.		6mΩ (After charge)	
Charge	Standard	150mA × 15hrs.	
	Quick	500mA × 4.5hrs.	
Ambient temperature	Charge	Standard	0° to 45°C (32° to 113°F)
		Quick	10° to 45°C (50° to 113°F)
	Discharge		-20° to 65°C (-4° to 149°F)
	Storage		-20° to 45°C (-4° to 113°F)

Note:

- Nominal capacity, rated at C/5, 20°C(68°F)
- Other capacities are for reference.
- See paragraph 1.6.2., for charging details.
- Weight and internal impedance are for reference.
- For bare cell, see page 96 and 97.

### Typical characteristics

